



DEPARTMENT OF PERMITTING, ENVIRONMENT, AND REGULATORY AFFAIRS (PERA)
BOARD AND CODE ADMINISTRATION DIVISION

MIAMI-DADE COUNTY
PRODUCT CONTROL SECTION
11805 SW 26 Street, Room 208
Miami, Florida 33175-2474
T (786) 315-2590 F (786) 315-2599
www.miamidade.gov/pera

NOTICE OF ACCEPTANCE (NOA)

Boral Roofing LLC.
7575 Irvine Center Drive, Suite 100
Irvine, CA. 92618

SCOPE:

This NOA is being issued under the applicable rules and regulations governing the use of construction materials. The documentation submitted has been reviewed and accepted by Miami-Dade County PERA - Product Control Section to be used in Miami-Dade County and other areas where allowed by the Authority Having Jurisdiction (AHJ).

This NOA shall not be valid after the expiration date stated below. The Miami-Dade County Product Control Section (in Miami-Dade County) and/or the AHJ (in areas other than Miami-Dade County) reserve the right to have this product or material tested for quality assurance purposes. If this product or material fails to perform in the accepted manner, the manufacturer will incur the expense of such testing and the AHJ may immediately revoke, modify, or suspend the use of such product or material within their jurisdiction. PERA reserves the right to revoke this acceptance, if it is determined by Miami-Dade County Product Control Section that this product or material fails to meet the requirements of the applicable building code.

This product is approved as described herein, and has been designed to comply with the Florida Building Code including the High Velocity Hurricane Zone of the Florida Building Code.

DESCRIPTION: Madera 700 Concrete Roof Tile

LABELING: Each unit shall bear a permanent label with the manufacturer's name or logo, city, state and following statement: "Miami-Dade County Product Control Approved", unless otherwise noted herein.

RENEWAL of this NOA shall be considered after a renewal application has been filed and there has been no change in the applicable building code negatively affecting the performance of this product.

TERMINATION of this NOA will occur after the expiration date or if there has been a revision or change in the materials, use, and/or manufacture of the product or process. Misuse of this NOA as an endorsement of any product, for sales, advertising or any other purposes shall automatically terminate this NOA. Failure to comply with any section of this NOA shall be cause for termination and removal of NOA.

ADVERTISEMENT: The NOA number preceded by the words Miami-Dade County, Florida, and followed by the expiration date may be displayed in advertising literature. If any portion of the NOA is displayed, then it shall be done in its entirety.

INSPECTION: A copy of this entire NOA shall be provided to the user by the manufacturer or its distributors and shall be available for inspection at the job site at the request of the Building Official.

This NOA revises NOA #12-0904.10 and consists of pages 1 through 6.
The submitted documentation was reviewed by Gaspar J Rodriguez.



NOA No.: 15-0601.05
Expiration Date: 12/06/17
Approval Date: 10/15/15
Page 1 of 6

ROOFING ASSEMBLY APPROVAL

Category: Roofing
Sub-Category: Roofing Tiles
Material: Concrete

1. SCOPE

This approves a system using **Madera 700 Concrete Roof Tile**, manufactured by **Boral Roofing LLC** in Stockton, CA, and described in this Notice of Acceptance. This NOA is for locations where the pressure requirements, as determined by applicable Building Code do not exceed the design pressure values obtained by calculations in compliance with RAS 127 using the values listed in the installation section herein. The attachment calculations shall be done as a moment based system.

2. PRODUCT DESCRIPTION

<u>Manufactured by Applicant</u>	<u>Dimensions</u>	<u>Test Specifications</u>	<u>Product Description</u>
Madera 700 Concrete Roof Tile	L = 13.5" W = 13" 7/8" thick	TAS 112	Flat, interlocking, high-pressure concrete roof tile equipped with two nail holes. For direct deck or battened nail-on, mortar set or adhesive set applications.
Trim Pieces	L = varies W = varies varying thickness	TAS 112	Accessory trim, concrete roof pieces for use at hips, rakes, ridges and valley terminations. Manufactured for each tile profile.

2.1 PRODUCT DESCRIPTION

1. Stockton, CA

2.2 SUBMITTED EVIDENCE:

<u>Test Agency</u>	<u>Test Identifier</u>	<u>Test Name/Report</u>	<u>Date</u>
Redland Technologies	7161-03 Appendix III	Static Uplift Testing PA 102 & PA 102(A)	Dec. 1991
Redland Technologies	7161-03 Appendix II	Wind Tunnel Testing PA 108 (Nail-On)	Dec. 1991
Redland Technologies	P0402	Withdrawal Resistance Testing of screw vs. smooth shank nails	Sept. 1993
Redland Technologies	Letter Dated Aug. 1, 1994	Wind Tunnel Testing PA 108 (Nail-On)	Aug. 1994
Redland Technologies	P0631-01	Wind Tunnel Testing PA 108 (Mortar Set)	July 1994
Professional Service Industries, Inc.	IC-1320-94	Physical Properties PA 112	Feb. 1995
The Center for Applied Engineering, Inc.	25-7688-3 25-7688-10	Static Uplift Testing PA 101 (Adhesive Set) & (Mortar Set)	June 1996 July 1996



NOA No.: 15-0601.05
Expiration Date: 12/06/17
Approval Date: 10/15/15
Page 2 of 6

2.2 SUBMITTED EVIDENCE:

<u>Test Agency</u>	<u>Test Identifier</u>	<u>Test Name/Report</u>	<u>Date</u>
The Center for Applied Engineering, Inc.	25-7688-5	Static Uplift Testing PA 102 (3" Headlap, Nails, Direct Deck, New Construction)	June 1996
The Center for Applied Engineering, Inc.	25-7688-4	Static Uplift Testing PA 102 (4" Headlap, Nails, Clips)	June 1996
Walker Engineering, Inc.	Evaluation Calculations	Aerodynamic Multipliers	Sept 2007
Walker Engineering, Inc.	Calculations	Two Patty Adhesive Set System	April 1999
Walker Engineering, Inc.	Evaluation Calculations	Restoring Moments Due to Gravity	June 2007
Nutting Engineers	124	TAS 112	January 2007

3. LIMITATIONS

- 3.1 Fire classification is not part of this acceptance.
- 3.2 For mortar or adhesive set tile applications, a static field uplift test shall be performed in accordance with TAS 106.
- 3.3 Applicant shall retain the services of a Miami-Dade County Certified Laboratory to perform quarterly test in accordance with TAS 112, appendix 'A'. Such testing shall be submitted to the Building Code Compliance Office for review.
- 3.4 Minimum underlayment shall be in compliance with the applicable Roofing Applications Standards listed section 4.1 herein.
- 3.5 30/90 hot mopped underlayment applications may be installed perpendicular to the roof slope unless stated otherwise by the underlayment material manufacturers published literature.
- 3.6 This acceptance is for wood deck applications. Minimum deck requirements shall be in compliance with applicable building code.

4. INSTALLATION

- 4.1 Madera 700 Concrete Roof Tile and its components shall be installed in strict compliance with Roofing Application Standard RAS 118, RAS 119, and RAS 120.
- 4.2 Data For Attachment Calculations

Table 1: Average Weight (W) and Dimensions (l x w)

Tile Profile	Weight-W (lbf)	Length-l (ft)	Width-w (ft)
Madera 700 Roof Tile	6.4	1.125	1.08

Table 2: Aerodynamic Multipliers - λ (ft³)

Tile Profile	λ (ft ³)	λ (ft ³)
	Batten Application	Direct Deck Application
Madera 700 Roof Tile	0.180	0.194

Table 3: Restoring Moments due to Gravity - M_g (ft-lbf)												
Tile Profile	2":12"		3":12"		4":12"		5":12"		6":12"		7":12" or greater	
	Battens	Direct Deck	Battens	Direct Deck	Battens	Direct Deck	Battens	Direct Deck	Battens	Direct Deck	Battens	Direct Deck
Madera 700 Roof Tile	3.64	3.64	3.62	3.62	3.56	3.56	3.49	3.49	3.41	3.41	3.32	3.32

Table 4: Attachment Resistance Expressed as a Moment - M_r (ft-lbf) for Nail-On Systems				
Tile Profile	Tile Application	Approved Nails	Approved Screws ²	
Madera 700 Roof Tile	Direct Deck	2 nails	1 screw	2 screws
		16.4	16.4	27.6

1. Data noted in Table 3 is for installation with a 3" tile headlap.

2. Approved screws are as noted in the 'Trade Names of Products Manufactured by Others.' Clips on eave tiles may not be required for this attachment configuration, please refer to Miami-Dade Roofing Application Standard RAS 127 for Moment of Resistance calculations.

Table 7: Attachment Resistance Expressed as a Moment - M_r (ft-lbf) for Single Patty Adhesive Set Systems		
Tile Profile	Tile Application	Minimum Attachment Resistance
Madera 700 Roof Tile	3M™ 2-Component Foam Roof Tile Adhesive AH-160	49.5 ³

3. Medium paddy placement of 17.2grams of 3M™ 2-Component Foam Roof Tile Adhesive AH-160.

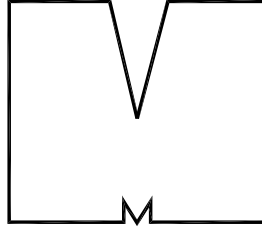
Table 8: Attachment Resistance Expressed as a Moment - M_r (ft-lbf) for Mortar Set Systems		
Tile Profile	Tile Application	Attachment Resistance
Madera 700 Roof Tile	Mortar Set ⁴	43.9

4. Tile-Tite Roof Tile Mortar.



5. LABELING

All tiles shall bear the imprint or identifiable marking of the manufacturer's name or logo (See **Detail Below**), or following statement: "Miami-Dade County Product Control Approved".



**BORAL ROOFING LLC MADERA 700 CONCRETE ROOF TILE (STOCKTON, CA)
(LOCATED ON UNDERSIDE OF TILE)**

6. BUILDING PERMIT REQUIREMENTS

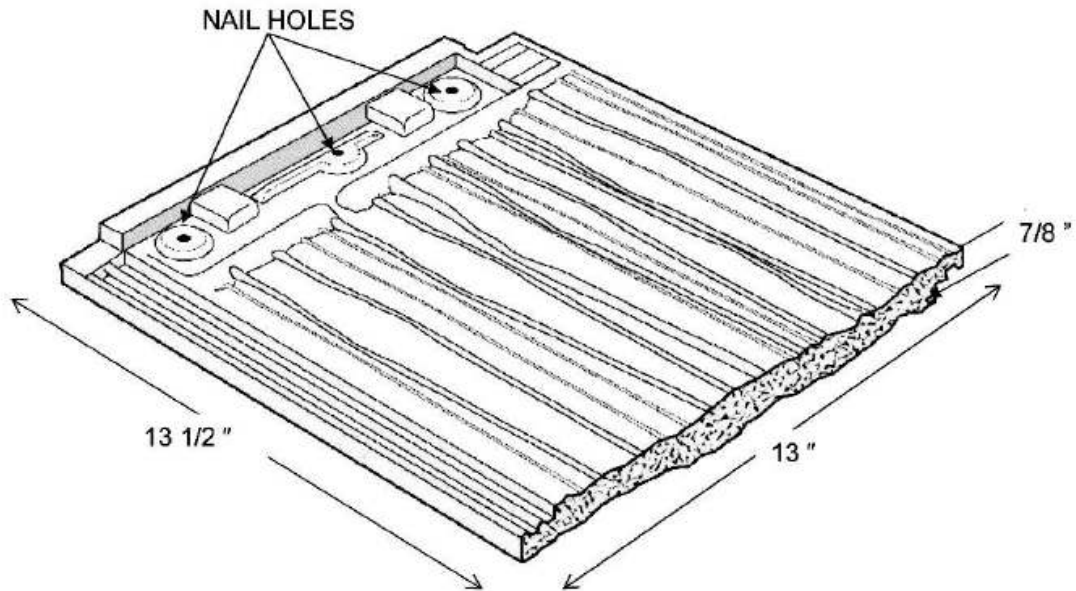
As required by the Building Official or the applicable Building Code in order to properly evaluate the installation of this system. This Notice of Acceptance on its own cannot be used to obtain a building permit.



NOA No.: 15-0601.05
Expiration Date: 12/06/17
Approval Date: 10/15/15
Page 5 of 6

PROFILE DRAWINGS

Madera 700



MADERA 700 CONCRETE ROOF TILE (STOCKTON, CA)

END OF THIS ACCEPTANCE