

Boral **Roofing**
Build something great™



Canada

REROOF CONCRETE TILE COLLECTION



A big decision that pays big dividends

Reroofing your home is a significant and important investment. There are many costs that should be taken into consideration beyond the price of initial installation.

Q. *When will I have to replace it?*

A. While many other roofing options require full replacement in a relatively short period of time, clay and concrete roof tiles are a long-lasting solution and are intended to last the life of the structure the tiles protect. In fact, a tile roof has the longest lifecycle of any roofing product. When you amortize your final costs over this life span – the costs for a tile roof are actually less than most other options. Add the energy savings from your roof over this same time period and your lifecycle cost gets even lower.



Q. *Can my roof provide savings in energy or insurance costs?*

A. A tile roof is extremely energy efficient, and when combined with our Cool Roof System can save up to 22% on your energy costs.¹ And if you are in a region prone to fire or hail, our rated products can help lower your insurance costs. Some areas may have new building codes that are requiring energy efficient products, in addition to certain fire and hail ratings.

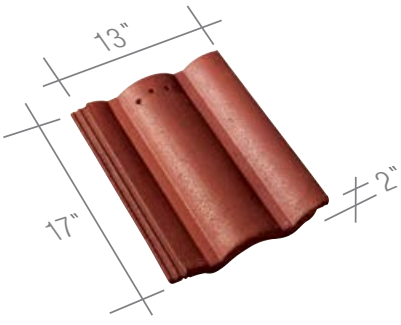


Over the life of the roof, tile is the most cost effective roofing material.

Standard Weight Concrete Tile	\$6.00 per year
Life expectancy 50 + years	
Lightweight Concrete Tile	\$7.00 per year
Life expectancy 50 + years	
Three Tab Shingle	\$8.00 per year
Life expectancy 15-20 years	
Clay Tile	\$9.00 per year
Life expectancy 50 + years	
Laminated Shingles	\$10.00 per year
Life expectancy 25-40 years	
Fiber Cement	\$10.00 per year
Life expectancy 25-50 years	
Treated Wood Shake	\$38.00 per year
Life expectancy 10-15 years	

Source: Committee for Firesafe Dwellings www.Firesafedwellings.org. Report BRG.02

¹ Steep-slope Assembly Testing of Clay and Concrete Tile with and without Cool Pigmented Colors, Oak Ridge National Laboratory, 2005. Results vary based on profile of tile installed, location, weather and other factors.



Villa 800

Villa 800 emulates the most popular tile in the world faithfully re-creating the beautiful Mediterranean style popular in Italy and Southern France.

- Unique colors and blends can enhance any architectural theme
- Superior strength and durability of concrete tile

Coverage	Installed Weight/Square	Pieces/Pallet	Squares/Pallet	Weight/Pallet
At 3" minimum headlap, 87 field tiles will cover approx. 100 square feet of roof area.	Approx: 790 lbs.	336	3.86	Approx: 3,383 lbs.

Charcoal

4VICS1130DP



CRRC ID# – 0942-0064
 Reflectance: 0.08 / Emittance: 0.92 / SRI: 5

Chestnut Brown

4VICS3613DP



CRRC ID# – 0942-0098
 Reflectance: 0.26 / Emittance: 0.89 / SRI: 26

Mission Red

4VICS7027DP



Villa Chestnut Brown



ABOUT BORAL ROOFING

Boral Roofing is a subsidiary of Boral USA, and is the country's largest premium provider of complete roofing and re-roofing solutions for architects as well as commercial and residential builders. Boral Roofing operates 12 clay and concrete tile manufacturing plants throughout the U.S.

ABOUT BORAL USA

Headquartered in Roswell, Georgia, Boral USA is the holding company for Boral's US operations which include leading manufacturers in the building material industry. Boral USA's subsidiaries include Boral Bricks; #1 manufacturer of clay brick in the United States, Boral Roofing; the nation's leading manufacturer of clay and concrete roof tiles, Boral Stone Products, manufacturer of Cultured Stone® the most recognized brand of manufactured stone veneer, and Boral Composites Inc; manufacturer of Boral TruExterior® Trim, the #1 brand of poly-ash exterior trim products.

Build something great™ with Boral®

Stone | Bricks | Trim | Roofing

www.BoralAmerica.com

TileVision. Imagine The Possibilities



Use our online design tool to visualize tile designs and colors that best match your home design and architecture. Save your favorites to a cart and share your vision with your family and friends on Facebook!

Sales Office

Tacoma, WASHINGTON

Customer Service

1.800.669.TILE (8453)

Corporate Office

Boral Roofing

200 Mansell Court East, Suite 310
Roswell, GA 30076

Website



Download a QR Code reader app for your smartphone, then take a photo to visit our website www.BoralRoof.com

Western Office

Boral Roofing

7575 Irvine Center Drive, Ste. #100
Irvine, CA 92618

